

## Azzuro Solar System Specification

System Model	Model Components	Description	Specification
Sunrise-180R-2 (for.. 1-2 people)	1 x CPC12	Solar collector 2 sqm	W=1440mm, H=1640mm, D=110mm, 36kg
	1 x PU3	Solar station	W=400mm, H=200mm, D=200mm
	1 x AZ180C1	Single coiled solar cylinder 180L, middle element 3kW	H=1166mm, Dia=580mm
	1 x EV18	Expansion Vessel 18L	H=430mm, Dia=330mm
	1 x AFR2	Filling & Rinsing valve	
	1 x SS3-110S3	Solar controller with 3 sensor	
	1 x SSRLY	Controller Relay for HWC	
Sunrise-300R-3 (for 3-4 people)	1 x CPC18	Solar collector 3 sqm	W=2140mm, H=1640mm, D=110mm, 53kg
	1 x PU3	Solar station	W=400mm, H=200mm, D=200mm
	1 x AZ300C1	Single coiled solar cylinder 300L, middle element 3kW	H=1825mm, Dia=580mm
	1 x EV24	Expansion Vessel 24L	H=470mm, Dia=340mm
	1 x AFR2	Filling & Rinsing valve	
	1 x SS3-110	Solar controller with 3 sensor	
	1 x SSRLY	Controller Relay for HWC	
Sunrise-300R-4 (for 4-6 people)	2 x CPC12	Solar collector 4 sqm	2 of W=1440mm, H=1640mm, D=110mm, 36kg
	1 x PU3	Solar station	W=400mm, H=200mm, D=200mm
	1 x AZ300C1A	Single coiled solar cylinder 300L, lower element 3kW	H=1825mm, Dia=580mm
	1 x EV24	Expansion Vessel 24L	H=470mm, Dia=340mm
	1 x AFR2	Filling & Rinsing valve	
	1 x SS3-110	Solar controller with 3 sensor	
	1 x SSRLY	Controller Relay for HWC	

**Notes**

Site check all existing levels and Dimensions prior to putting work in hand

Existing dwelling built in accordance with NZS 3604

All flashings are to be installed in accordance with E2/AS1

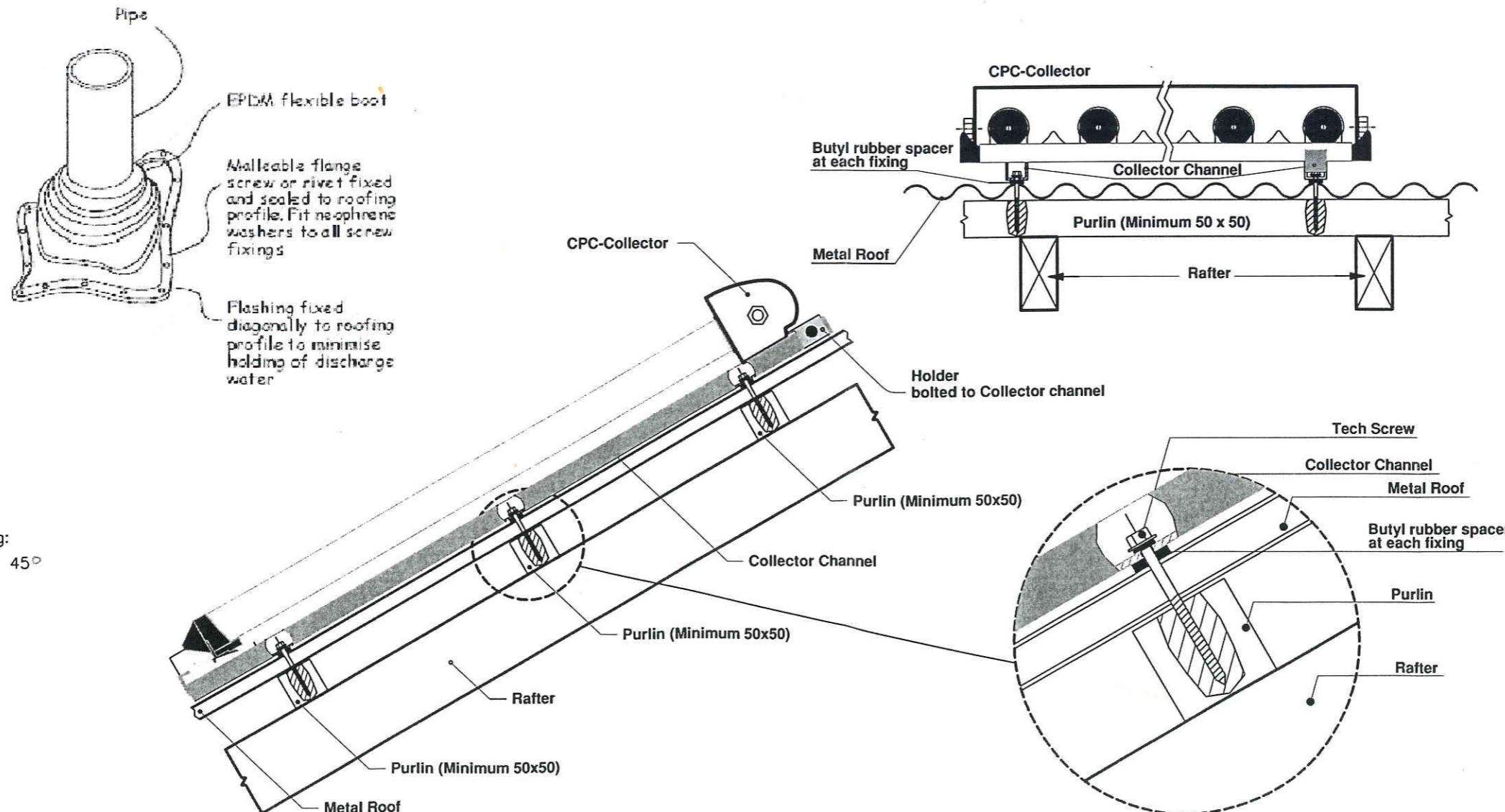
All plumbings are to be installed in accordance with G12/AS1

These drawings are to remain the property of Azzuro Solar Ltd, and should not be copied without permission of Azzuro Solar Ltd.

Job Title  
Solar Water Heating

Drawing Title  
DETAILS & SPECIFICATION

Scale	.
Job No.	.
Drawn	.
Checked	.
Date	.



Note:  
Roof pitch for this flashing:  
Minimum 10° / Maximum 45°